

## IMPORTANT INFORMATION



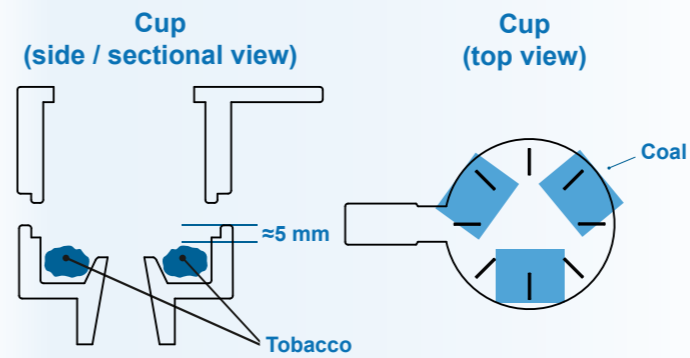
- 1 Thoroughly wash all hookah parts with warm water prior to use!
- 2 Hookah flask is made of glass thus require handling with care:
  - do not put ice in empty flask;
  - firstly, fill the 1/3 of flask volume with water of room temperature;
  - avoid flask contact with hot water;
  - avoid blows and heavy stresses on the flask.
- 3 Shapes Primo light module has several modes and is operated from a remote control. Illumination colours correspond to button colours on the remote control, there are also color changing modes. To replace the batteries, unscrew the light module. Light module uses 3 elements of the AAA type.



## HOOKAH PREPARATION 1/2



- 1 Fill the cup with hookah tobacco according to the diagram. It is recommended to use the "wettest" tobacco to get thick smoke and prolong smoking;
- 2 Cover the cup with a metal screen, align screen handle with a slot in the cup;
- 3 Place live coals onto the cup according to the diagram;
- 4 Place wind-stopper on the cup.



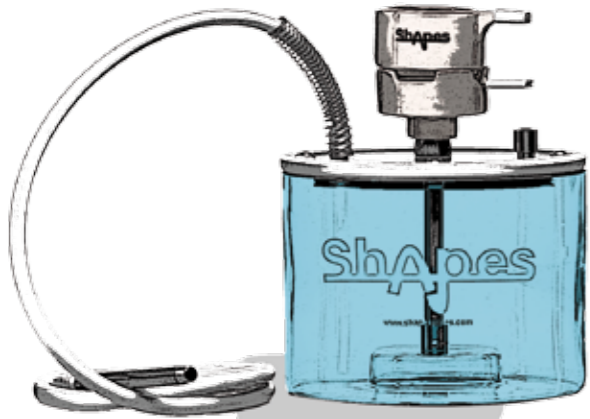
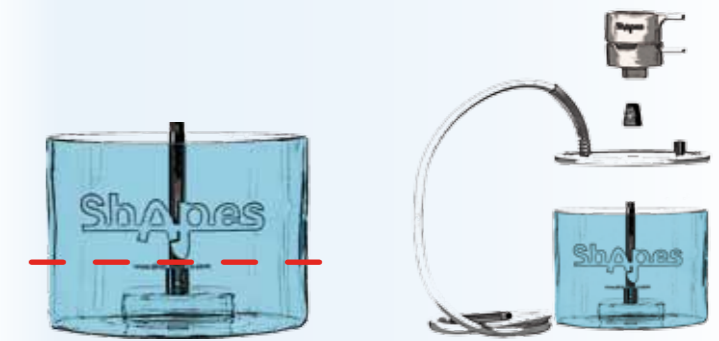
## HOOKAH PREPARATION 2/2



- 1 Fill the flask with fluid so that the shaft outlets are immersed to a depth of 1.0 - 1.5 cm (see Fig. 1);
- 2 Assemble the hookah (see Fig. 2).

Fig. 1 Fluid level

Fig. 2 Assembly diagram



## HOOKAH CARE



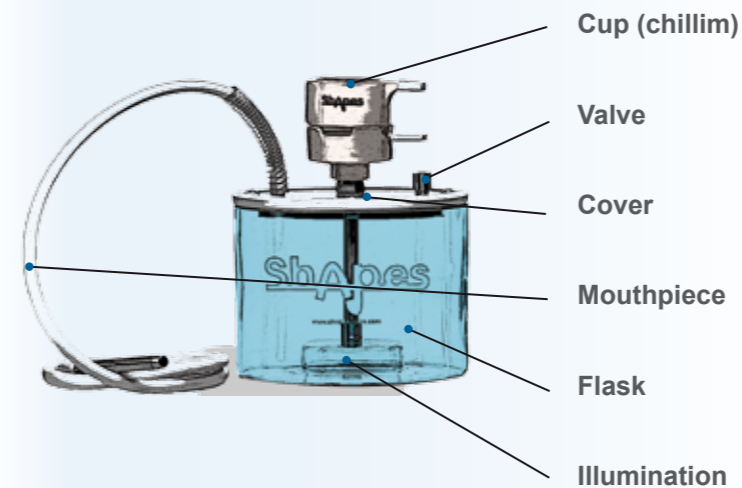
- 1 After usage for several times, it is recommended to wash out all hookah parts with warm water, for this purpose it is necessary to unscrew the shaft end piece and clean out to remove all contaminating impurity;
- 2 The flask shall be washed with warm water and dishwashing detergent.

## SAFETY MEASURES



- 1 **WARNING:** Smoking Causes Lung Cancer, Heart Disease, Emphysema, And May Complicate Pregnancy. Smoking seriously harms you and others around you. Smokers die younger. Buffer children against tobacco smoke.
- 2 Hookah is a source of special fire risk. Be careful with live coals!

## CONFIGURATION



## ADDITIONAL INFORMATION



- 1 Shapes Primo can be used with third parties tobacco cups;
- 2 **WARNING!** Do not tighten the cover nut too much - it can brake the glass flask.

THANK YOU FOR HAVING CHOSEN OUR HOOKAH!